



## DOC

Self-supporting dry outdoor composite termination up to 170 kV

# Completely dry and safety tested

Electricity networks have to be cost-effective and safe. For a hundred years now, PFISTERER's technology and quality have fulfilled both of these requirements.

Dry PFISTERER outdoor cable terminations have been used worldwide for decades in substations and on high-voltage transmission towers. They connect cable systems to overhead lines and busbars with long-term reliability. That pays dividends. For time-critical installation projects with the future in mind, PFISTERER now offers DOC – the first dry, self-supporting termination.



## No oil, gas or gel

The insulation is made from silicone, which protects the environment as no insulating oils are used.



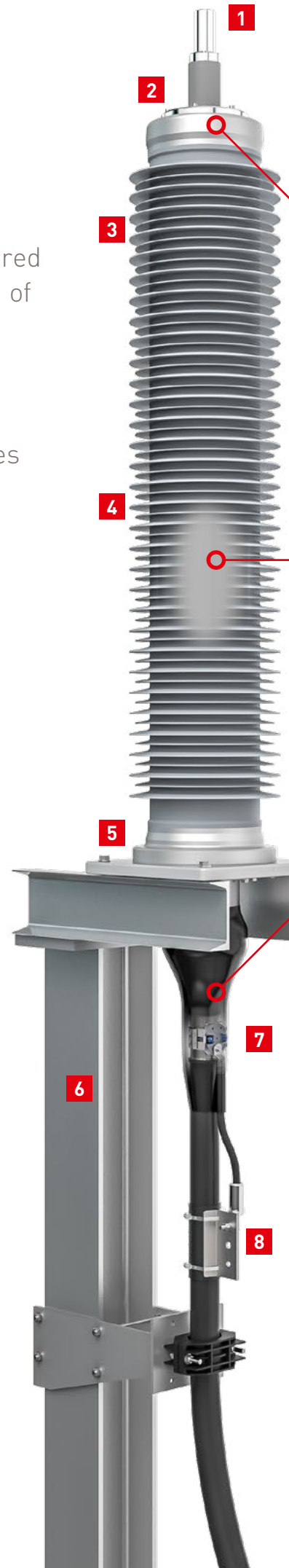
## Tested safety

Proven and innovative technologies for the future, made by PFISTERER. Every termination is fully and individually tested before it leaves our factory.



## Installed in minutes

Ready to use on site: the preassembled DOC termination is tested and shipped as a complete unit. That means the hollow insulator, stress grading device and base plate already form a complete product when delivered. The termination is simply pulled on. It is no longer necessary to bond individual insulator sections.



- 1 Top connection
- 2 Bolted connector
- 3 SiR main insulation
- 4 Stress grading device
- 5 Integrated base plate
- 6 Bottom fixing and sealing
- 7 SMART clamp
- 8 Earthing point

## SICON

Extremely reliable connection with patented SICON stepless shear bolt technology.



Fast and safe installation, with environmentally friendly technology.

## Silicone

The stress grading device is implemented exclusively with silicone. The product's longevity is proven.



## SMART clamp

The SMART clamp simplifies and standardises screening work. It also creates a reliable contact between the screen and an earthing point.

### Benefits

- Whole termination routine tested (IEC 60840 clause 9)
- Proven material
- Proven technology
- No liquid handling on site
- Fast and reliable installation (horizontal or vertical)
- Integrated base plate
- Fixed earthing point for simpler screen handling
- Maintenance-free

## Specifications

Type	$U_m$ [kV]	BIL [kV]	PD at 1.5 $U_0$	IEC 60815 IEC 60815-3
DOC123-C39	123	550	<5pC	IV, E
DOC145-C45	145	650	<5pC	IV, E
DOC170-C58	170	750	<5pC	IV, E

PFISTERER Holding AG

Rosenstraße 44  
73650 Winterbach  
Germany  
Phone: +49 7181 7005 0  
Fax: +49 7181 7005 565  
info@pfisterer.com  
www.pfisterer.com

The PFISTERER Group is amongst the world's leading specialist equipment and system suppliers in the energy infrastructure industry. Around 2,100 employees develop, produce and distribute components and complete solutions for the particularly sensitive interfaces in modern energy networks. With a complete range of products and services, the PFISTERER Group provides customised solutions for the complete transmission chain from low and medium to high and ultra-high voltage. Everything from a single source. Worldwide.