

# The „new“ ISICOMPACT L

Tap connections  $\leq 50 \text{ mm}^2$  from main conductors up to 240 SE with the most compact dimensions

Cables with conductor cross-sections of  $240 \text{ mm}^2$  are being used ever more frequently in the low voltage network. Until now, it has been possible to use ISICOMPACT L30 and L40 connectors to tap off from these main conductors. However, both connectors were originally designed for larger tap connections. So from a resource point of view, they are not the ideal solution for the 240 SE to  $\leq 50 \text{ mm}^2$  tapping applications that are becoming increasingly common.





### Proven ISICOMPACT advantages:

- Insulation does not have to be removed from the conductor
- IP2X touch protection against electrical hazards
- One-screw solution with defined shear torque
- Consistent operational reliability

### The „new“ ISICOMPACT L in figures

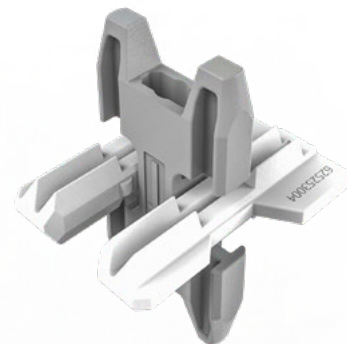
- Main conductors: 120 - 150 mm<sup>2</sup> SM  
120 - 240 mm<sup>2</sup> SE
- Tap conductors: 6 - 50 mm<sup>2</sup>
- Circumscribed circle:  
≤ 120 mm (joints from Ø 140 mm)
- Type testing: VDE 0220 – part 3
- Article no.: 331 896 103

#### Extended screw bolt

Easy installation even on large conductor combinations thanks to 15 mm longer screw bolt.

#### New cross wedge design

Reduced number of ribs for reliable penetration of the stronger core insulation compared to 185 SE, with the usual low tightening torque.



#### Interlocking cross and central wedge

The locking design ensures defined positioning of the cross wedge ribs directly under the contact elements.