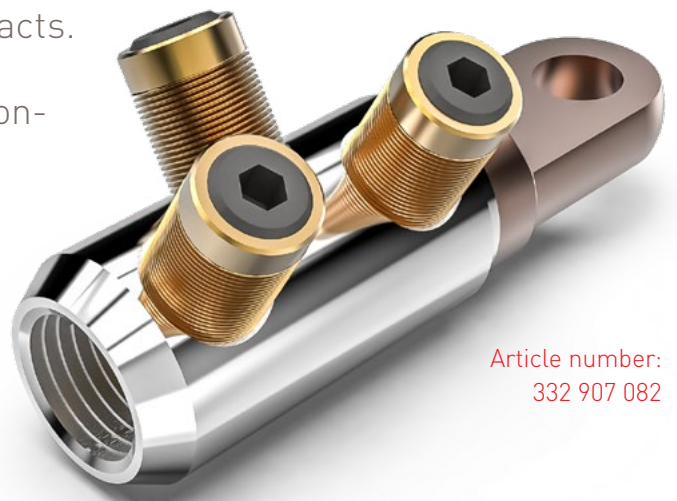


## SICON CopperTop

# Secure conductor material transition from aluminium to copper

With the Sicon CopperTop PFISTERER connects both the well-known SICON technology and the material transition from aluminium to copper in one cable lug. At the same time the copper/aluminium material transition is shifted to an area that easily can be covered with a heat shrink tube and can be secured against environmental impacts.

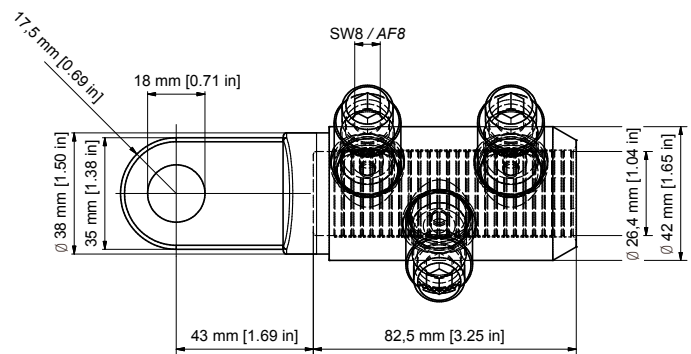
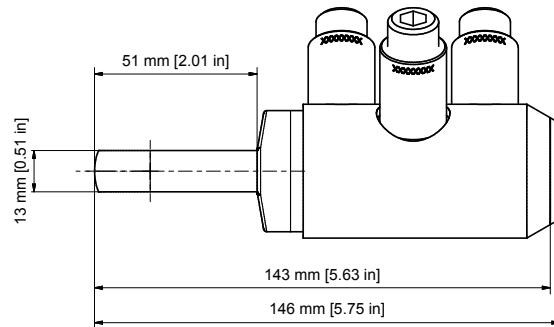
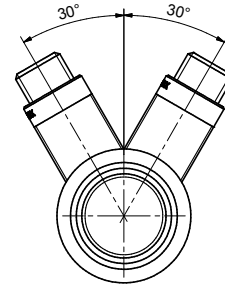
This allows for example a safe and corrosion-resistant connection to copper bus bars, especially in outdoor use. Additionally, the SICON CopperTop is an alternative for connections in elbow connectors from aluminium cable to copper connection elements.



Article number:  
332 907 082

# Prooven technology

Like all other SICON connectors the CopperTop can be used independently of the conductor material and type\*. The special aluminium alloy allows a safe and corrosion-resistant connection of both aluminium and copper material with perfect electrical characteristics. Thanks to the patented SICON step-less shear off bolts, optimal contact force is always achieved and avoids mounting failures.



### Benefits

- Al/Cu transition in the cable lug
- Safe and reliable connection of copper connection elements, especially in outdoor use
- Proven SICON technology
- Material transition easy shrinkable
- Reliable connection for all conductors
- Optimal contact force for all conductors
- No damage to individual strands
- Installation with standard tools

Conductor type	Cross section aluminium conductor		Cross section copper conductor	
	mm <sup>2</sup> (mm)	AWG / kcmil (inch)	mm <sup>2</sup> (mm)	AWG / kcmil (inch)
SM 120° / sector stranded 120°	185 (240 rounded)		185 (240 rounded)	
SE 120° / sector solid 120°	185 - 240			
SM 90° / sector stranded 90°	185 - 240		185 - 240	
SE 90° / sector solid 90°	185 - 240			
RE / round solid	185 - 500 (Ø 14,5-25,1)	350 - 1000 (Ø 0.59"-0.99")	185 - 500 (Ø 14,5-25,1)	350 - 1000 (Ø 0.59"-0.99")
RMV / round stranded and compressed	185 - 400 (Ø 15,3-24,6)	350 - 800 (Ø 0.65"-1.01")	185 - 400 (Ø 15,3-24,6)	350 - 800 (Ø 0.65"-1.01")
RM / round stranded	185 - 400 (Ø 17,0-26,1)	350 - 800 (Ø 0.67"-1.03")	185 - 400 (Ø 17,0-26,1)	350 - 800 (Ø 0.67"-1.03")

Qualified to: IEC 61238 / ANSI 119.4

\*Class 5 Copper by special request. No Al Class 5. No Class 6.